



Customer Services

SERVICE LETTER

No. 584

Piper Aircraft Corporation

Lock Haven, Pennsylvania, U.S.A.

July 8, 1971

Subject: 90 AMP Alternator Circuit Breaker Switch Inspection

Models and Serial Numbers Affected:

Models Affected

PA-23-250 (Six Place) Aztec
PA-30 Twin Comanche
PA-39 Twin Comanche

Serial Numbers Affected

27-3837, 27-3944 to 27-4606 incl.
30-1717, 30-1745 to 30-2000 incl.
39-1 to 39-83 incl.

Compliance Time: At the next 100 hour inspection or annual inspection, whichever occurs first.

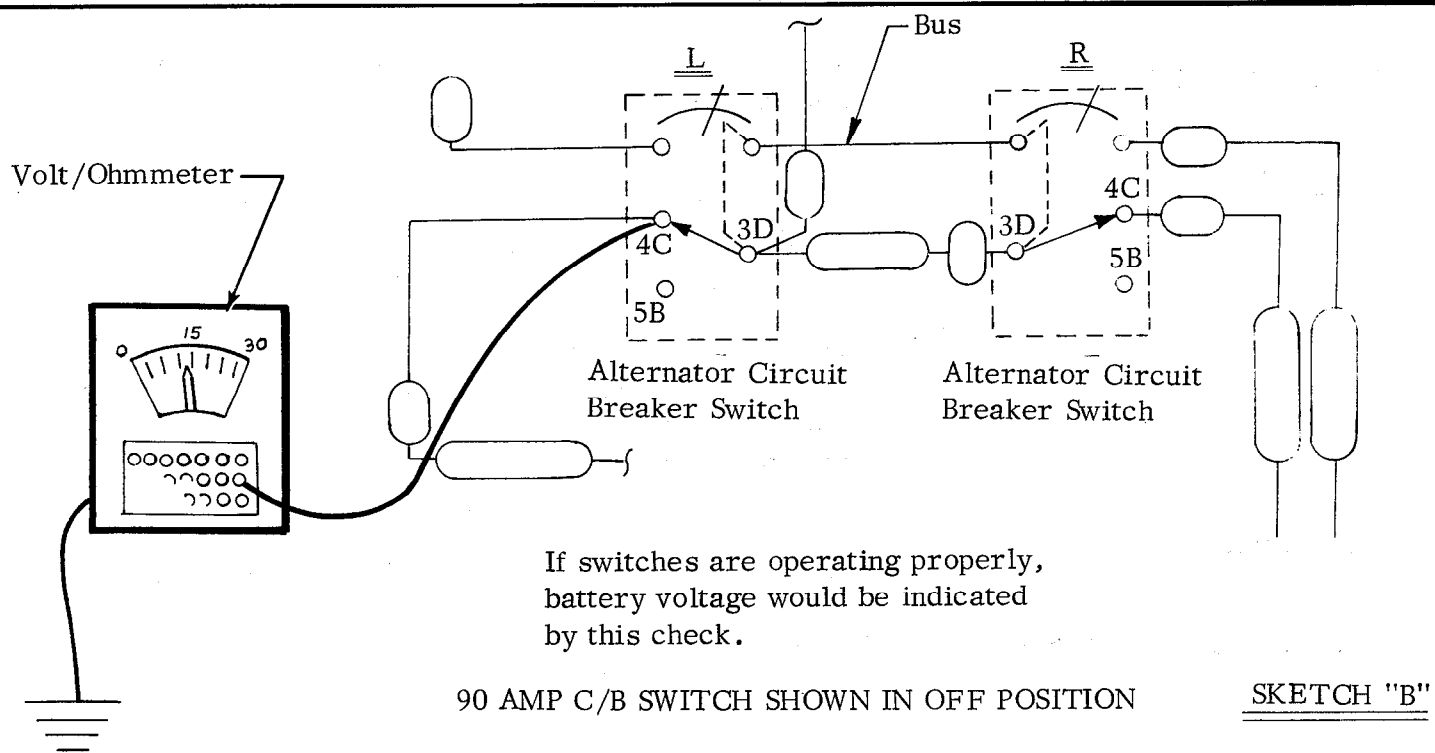
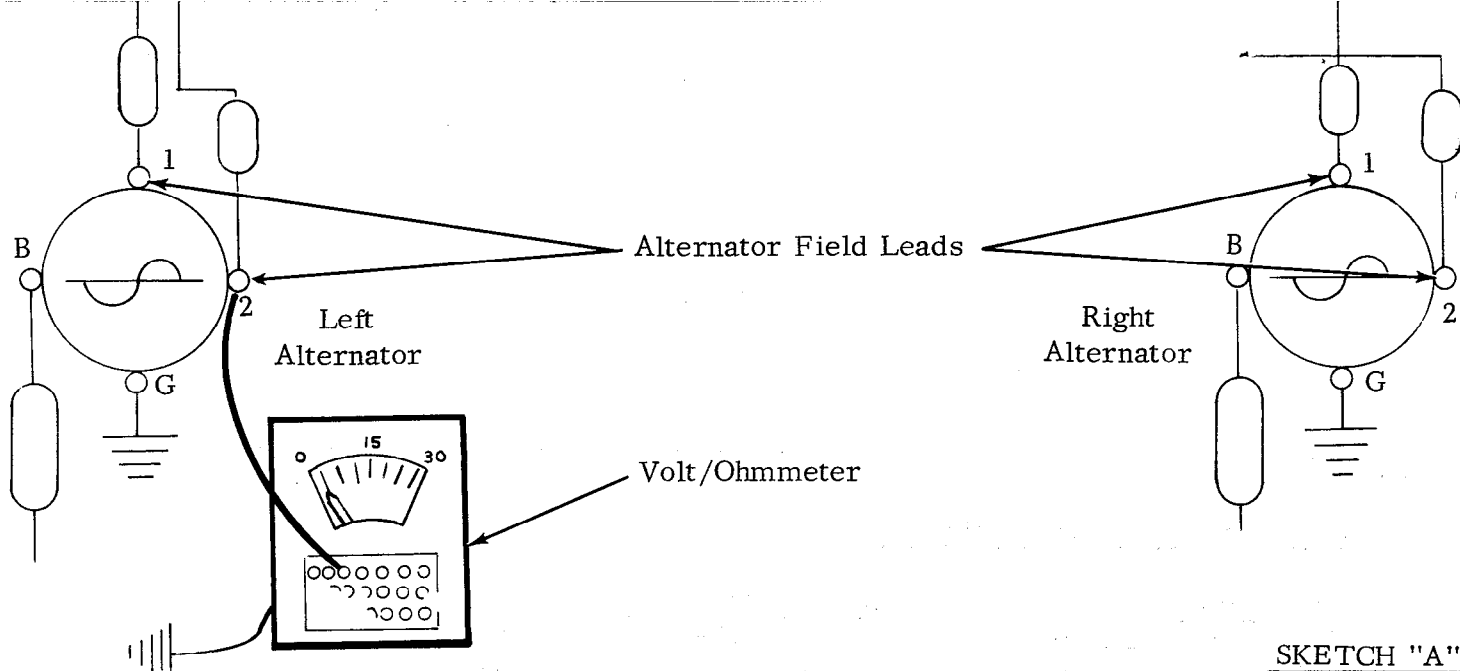
Purpose: Several recent product condition reports indicate that the subject switch, in the "OFF" position did not disarm the alternators, due to a circuit breaker switch internal malfunction.

This Service Letter provides the instructions to inspect the electrical system 90 AMP alternator circuit breaker switch to insure that the alternator is disarmed when the switch is turned off.

Instructions: Reference sketch/instructions on the reverse side of this page for the subject inspection instructions.

BALANCE OF SERVICE LETTER FORMAT NOT APPLICABLE.

(over)



INSTRUCTIONS FOR ALTERNATOR CIRCUIT BREAKER SWITCH INSPECTION

1. Turn the left and right 90 AMP Alternator Circuit Breaker switches both OFF.
2. Turn the aircraft Master Switch ON.
3. Connect a volt/ohmmeter as shown in Sketch "A".
4. Check the #2 Terminal of each alternator for voltage. Then connect the instrument lead to the #1 Terminal and check for voltage at this point. Do this on both alternators. If voltage is indicated at any of these terminals, proceed with Step 5. If there is no voltage, the alternator circuit breaker switch is all right.
5. Connect volt-ohmmeter as shown in Sketch "B". Check pin 4C of each alternator circuit breaker switch to determine if voltage is present. There should be voltage present; if there is, the switch is all right. If unable to obtain a voltage reading at pin 4C, the alternator circuit breaker switch being tested is defective and must be replaced with Part No. 454 667 (Wood #302-290-102).