



SERVICE LETTER

No. 557

Piper Aircraft Corporation

Lock Haven, Pennsylvania, U.S.A.

June 16, 1970

Subject: Rajay Oil Scavenge Pump

Models Affected: PA-30 Twin Comanche (Turbocharged Only)
PA-39 Twin Comanche C/R (Turbocharged Only)

Serial Numbers Affected: 30-853, 30-902 to 30-2000 incl. (Turbocharged Only)
39-1 to 39-49 incl. (Turbocharged Only)

Compliance Time: Reference Rajay Service Letter No. 15, Time of Compliance, contained on reverse side of this letter.

Purpose: To provide distribution of Rajay Service Letter No. 15, contained on reverse side of this letter.

Instructions: Inspect each part number RJ 1045 Rajay Oil Scavenge Pump installed on the above specified turbocharged aircraft, and install roll pin as required per Rajay Service Letter No. 15, contained on the reverse side of this letter.

Material Required: Two (2) each (per aircraft) roll pin, number 79-028-125-0187 ESNA, or equivalent.

Availability of Parts: Piper Dealer (see NOTE, below).

Material Allowance: Two (2) each per aircraft number 79-028-125-0187 ESNA roll pins; comply with Rajay warranty procedures.

Labor Allowance: Not applicable.

Disposition of Parts in Stock:

<u>Part Number</u>	<u>Nomenclature</u>	<u>Code</u>
RJ 1045	Pump-Oil Scavenge	Inspect RJ 1045 Scavenge Pumps in stock and comply with specifications of this service letter and Rajay Service Letter No. 15, contained on the reverse side of this letter.

Disposition of Replaced Parts: Not applicable.

NOTE

Piper Distributors: Requirements for the items specified in Material Required, above, are to be ordered from Rajay Industries, Inc., P. O. Box 207, Long Beach, California 90801. Please reference Rajay Service Letter No. 15 and Piper Service Letter No. 557 when submitting your orders to Rajay.

RAJAY INDUSTRIES, INC.

SERVICE INSTRUCTION

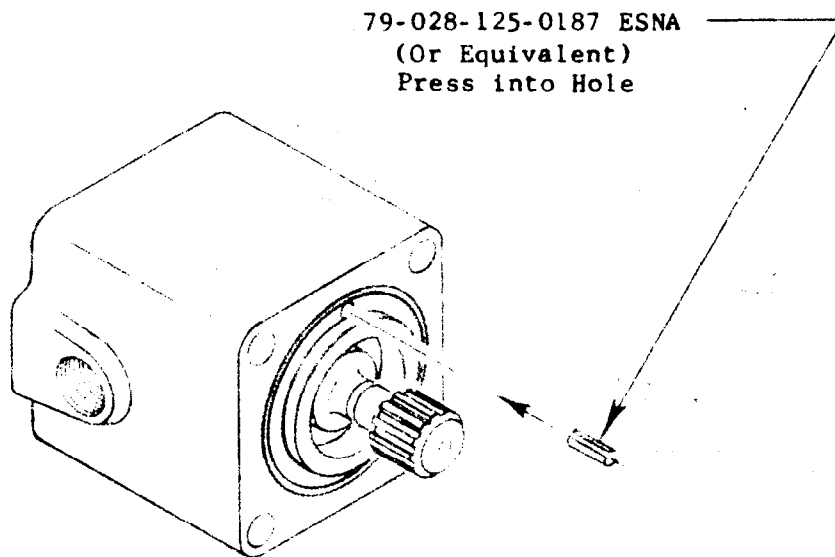
DATE: February 23, 1970

SERVICE LETTER NO. 15

MODELS AFFECTED: All dash numbers of Rajay Turbocharger system
Lube Scavenge Pump P/N RJ 1025 and RJ 1045
S/N 800 & previous RJ 1025
S/N 585 & previous RJ 1045

TIME OF COMPLIANCE: Within next 25 operating hours

To prevent the possible disengagement of the internal ring retaining pin from the pump housing the following fix for pumps in service should be accomplished:



Contact Rajay Industries, Inc., P. O. Box 207, Long Beach, California 90801, Phone 213/426-0346 for any further information required.

FAA APPROVED