

SERVICE



LETTER

Service Letter No. 461

September 28, 1965

TO: Distributors, Dealers, Certified Service Centers
and Owners

SUBJECT: Inspection of Propeller Blades

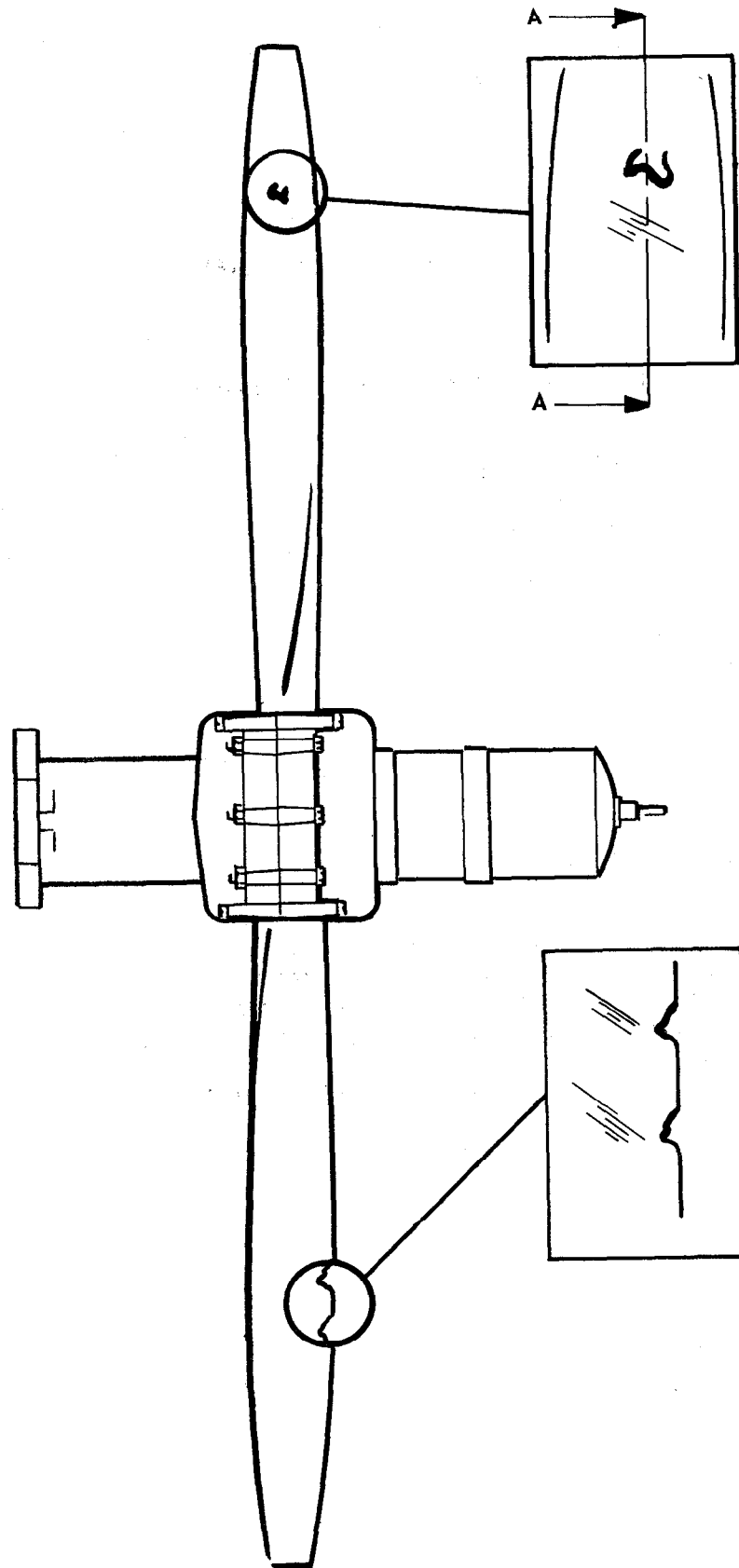
MODELS AFFECTED: All PA-30 Twin Comanche Aircraft

It is imperative that during the daily pre-flight inspection, propeller blades be examined for evidence of scratches, nicks or cracks, and if any are noted, they must be remedied immediately to preclude the possibility of propeller blade failure.

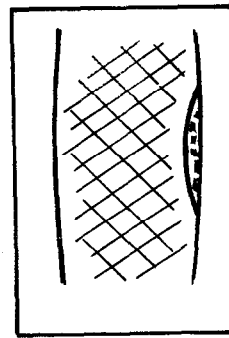
Nicks in leading edges of blades should be filed out and all edges rounded, as cracks sometimes start from such places. Use fine emery cloth for finishing. C. A. Manual No. 18 may also be used as a reference for corrective measures. Severe damage should be referred to the Hartzell Propeller Company, Piqua, Ohio, or approved propeller repair stations for correction.

See sketch on the reverse side of this Service Letter for typical scratches, etc. and method of repair.

PIPER AIRCRAFT CORPORATION, LOCK HAVEN, PA., U. S. A.



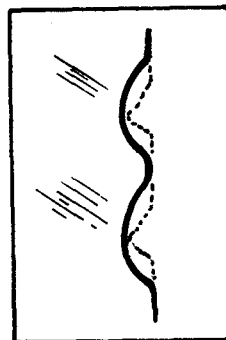
Exaggerated view of nick in face of blade.



SECTION AA-
Nick in face of blade removed by file and crocus cloth as recommended.



Exaggerated view of nicks in leading edge.



Recommended method for removing nicks by riffle file and crocus cloth. Blend deepest portion of nick into leading edge alignment with smooth curves.

SERVICE LETTER
No. 461

SERVICE



LETTER

SERVICE LETTER

November 11, 1965

TO: Distributors, Dealers and Certified Service Centers

SUBJECT: Service Meeting Schedule - January 1 to July 31, 1966

1966

Week of	Activity	Location	Date
Jan. 3	<u>Week scheduled as follows:</u> Central Piedmont Hawthorne Avia.	Winston Salem, N. C. Charleston, S. C.	Mon. eve. Jan. 3 Wed. eve. Jan. 5
Jan. 10	<u>Week scheduled as follows:</u> Mann Aircraft Montgomery Avia. Parkaire	Sarasota, Florida Montgomery, Ala. Marietta, Ga.	Mon. eve. Jan. 10 Wed. eve. Jan. 12 Thu. eve. Jan. 13
Jan. 24	<u>Week scheduled as follows:</u> Louisiana Aircraft Tarco	Baton Rouge, La. Houston, Texas	Tue. eve. Jan. 25 Thu. eve. Jan. 27
Jan. 31	<u>Week scheduled as follows:</u> Brown Flying Service Aerosmith	San Antonio, Texas Dallas, Texas	Tue. eve. Feb. 1 Thu. eve. Feb. 3
Feb. 7	<u>Week scheduled as follows:</u> St. Louis Flying Service Louisville Flying Service	St. Louis, Mo. Louisville, Ky.	Tue. eve. Feb. 8 Thu. eve. Feb. 10
Feb. 14	<u>Week scheduled as follows:</u> Wes-Tex Aircraft Catlin Aviation	Lubbock, Tex. Oklahoma City, Okla.	Tue. eve. Feb. 15 Thu. eve. Feb. 17
Feb. 21	<u>Week scheduled as follows:</u> David Feltus Associates Memphis Aero Corp.	Little Rock, Arkansas Memphis, Tenn.	Mon. eve. Feb. 21 Wed. eve. Feb. 23
Feb. 28	<u>Week scheduled as follows:</u> Crow, Inc. Trans Aircraft	Toledo, Ohio Hamilton, Ont. Can.	Tue. eve. Mar. 1 Thu. eve. Mar. 3
Mar. 7	<u>Week scheduled as follows:</u> Scranton Airways Bradens Flying Service Delaware Aviation	Scranton, Pa. Easton, Pa. Philadelphia, Pa.	Tue. eve. Mar. 8 Wed. eve. Mar. 9 Thu. eve. Mar. 10
Mar. 14	SERVICE MEETING	Lock Haven, Pa.	Mar. 14 to 18

PIPER AIRCRAFT CORPORATION, LOCK HAVEN, PA., U. S. A.

1966

Week of	Activity	Location	Date
Mar. 21	<u>Week scheduled as follows:</u> Des Moines Flying Service Graham Flying Service	Des Moines, Iowa St. Paul, Minn.	Tue. eve. Mar. 22 Thu. eve. Mar. 24
Mar. 28	<u>Week scheduled as follows:</u> Tufts-Edgcumbe Northern Air Service	Elgin, Illinois Grand Rapids, Mich.	Tue. eve. Mar. 29 Thu. eve. Mar. 31
Apr. 11	<u>Week scheduled as follows:</u> Montana Piper Dist. Melridge Avia. Co.	Billings, Montana Vancouver, Wash.	Tue. eve. Apr. 12 Thu. eve. Apr. 14
Apr. 18	<u>Week scheduled as follows:</u> Sierra Aircraft Co. Medina Aircraft Co.	San Jose, Calif. Long Beach, Calif.	Tue. eve. Apr. 19 Thu. eve. Apr. 21
Apr. 25	<u>Week scheduled as follows:</u> Canyon Aircraft Co. Southwest Air Rangers	Phoneix, Ariz. El Paso, Tex.	Tue. eve. Apr. 26 Thu. eve. Apr. 28
May 2	<u>Week scheduled as follows:</u> Wiggins Airways Central Maine Flying Service	Norwood, Mass. Old Town, Maine	Tue. eve. May 3 Thu. eve. May 5
May 9	SERVICE MEETING	Lock Haven, Pa.	May 9 to 13
May 16	<u>Week scheduled as follows:</u> Ohio Valley Piper Sales MarshallAir	Washington, Pa. Baltimore, Md.	Tue. eve. May 17 Thu. eve. May 19
May 23	<u>Week scheduled as follows:</u> Skyways, Inc. Muncie Aviation	Dayton, Ohio Muncie, Ind.	Tue. eve. May 24 Thu. eve. May 26
June 6	<u>Week scheduled as follows:</u> Thunderbird Avia. Atlas Aircraft Corp.	Salt Lake City, Utah Denver. Colorado	Tue. eve. June 7 Thu. eve. June 9
June 13	<u>Week scheduled as follows:</u> Midwest Piper Sales	Wichita, Kan.	Mon. eve. June 13
June 20	<u>Week scheduled as follows:</u> Trans Aircraft Co. Midwest Av.	Calgary, Alberta Winnipeg, Monitoba	Tue. eve. June 21 Thu. eve. June 23
June 27	<u>Week scheduled as follows:</u> Empire Aero Ser. Inc. Safair Inc.	Skaneateles, N. Y. Teterboro, N. J.	Tue. eve. June 28 Thu. eve. June 30