



Customer Services

SERVICE LETTER

No. 445

Piper Aircraft Corporation

Lock Haven, Pennsylvania, U.S.A.

April 21, 1965

TO: Distributors, Dealers, Certified Service Centers and Owners

SUBJECT: Installation of Nose Gear Drag Link Clevis Reinforcement Bracket

MODELS AFFECTED: PA-24 and PA-24-250 Comanches, Serial Nos. 24-1 to 24-922 incl., 24-924 to 24-3225 incl.

COMPLIANCE DATE: Prior to but not later than next 100 hour inspection

This Service Letter is to advise that Kit No. 756 911 consisting of a nose gear drag link clevis reinforcement bracket and necessary hardware is available for installation on the aircraft indicated by the above serial numbers.

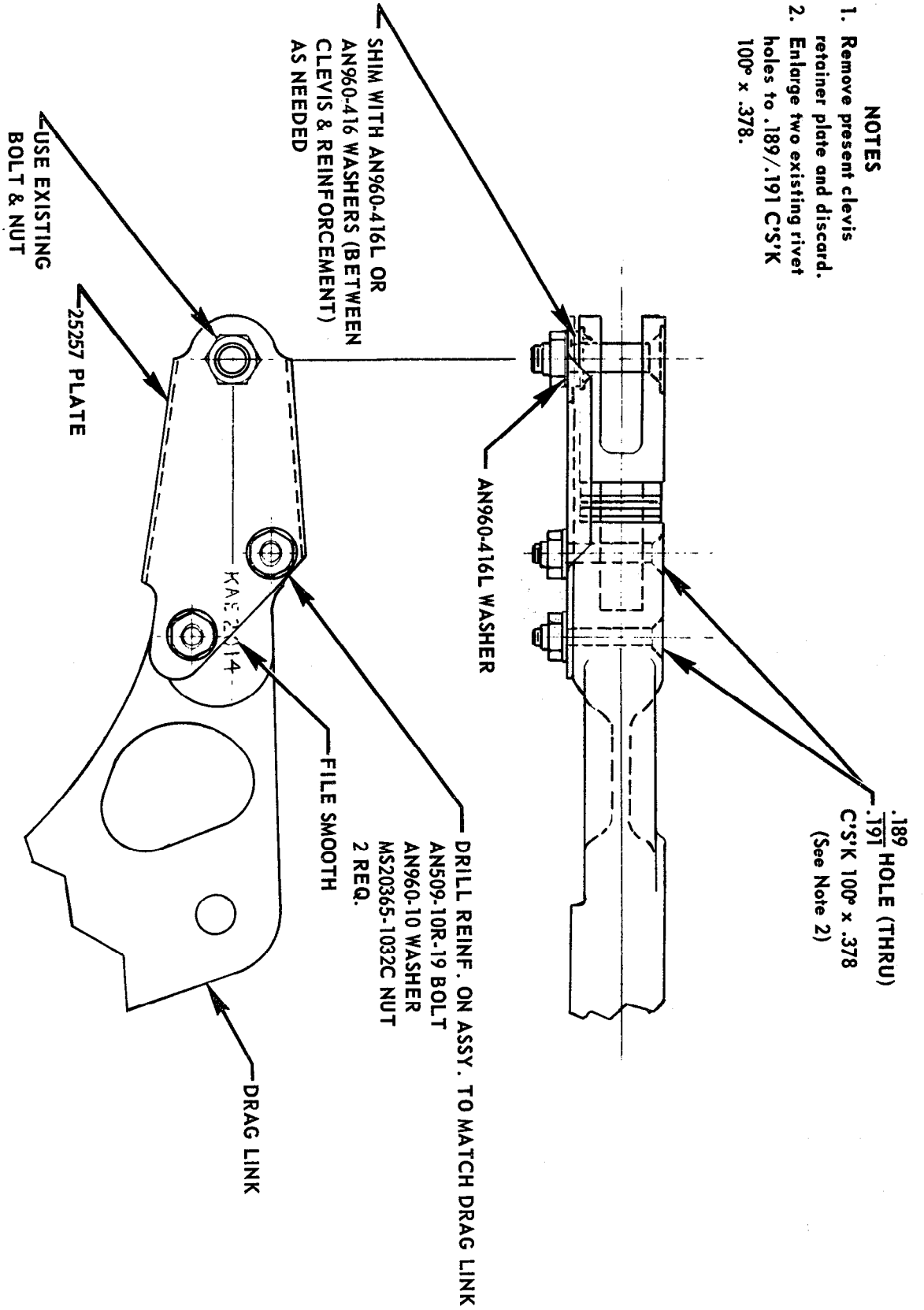
It is requested that the reinforcement bracket, which is applicable to clevises, part numbers 20859-03 (HT), 20859-02, or 20859-00, be installed to derive the benefit of the additional support. See sketch on the reverse side of this Service Letter.

NOTE

Compliance with this Service Letter is not required on aircraft that have had Kit Number 754 429 installed in service.

NOTES

1. Remove present clevis retainer plate and discard.
2. Enlarge two existing rivet holes to .189/.191 C'S'K 100° x .378.



SERVICE LETTER NO. 445