

SERVICE



LETTER

Service Letter No. 417

December 16, 1963

TO: Distributors, Dealers, Certified Service Centers and Owners

SUBJECT: Replacement of Fuel Injector Inlet Screens

MODELS AFFECTED: PA-30 Twin Comanches, Serial No. 30-1 to 30-179 incl.
30-180 right engine only
30-181 left engine only
30-202 right engine only
30-220 right engine only

COMPLIANCE DATE: Prior to but not later than next 100 hours of operation

The fuel injector inlet screen installed as original equipment in the subject aircraft is difficult to remove and install during routine inspection.

A fuel injector inlet screen replacement kit, part number 756 782, consisting of two fuel inlet fittings, two strainer assemblies and two plugs, which will facilitate removal and installation, is now available and shall be installed at or before the next 100 hour inspection in accordance with the sketch on the reverse side of this letter.

The fuel injector inlet screen replacement kit, part number 756 782, will be provided by automatic factory distribution. It will not be necessary for you to submit your purchase orders for your requirements. Credit will be issued for kit, part number 756 782, upon receipt of a warranty and credit claim form and the old fuel injector inlet screen. Since the removal of the screen is routine at the 100 hour inspection, no warranty labor will be allowed.

Very truly yours,

PIPER AIRCRAFT CORPORATION

WH:jf

A handwritten signature in cursive script that reads "Wes Holmes".
Wes Holmes
Service Manager

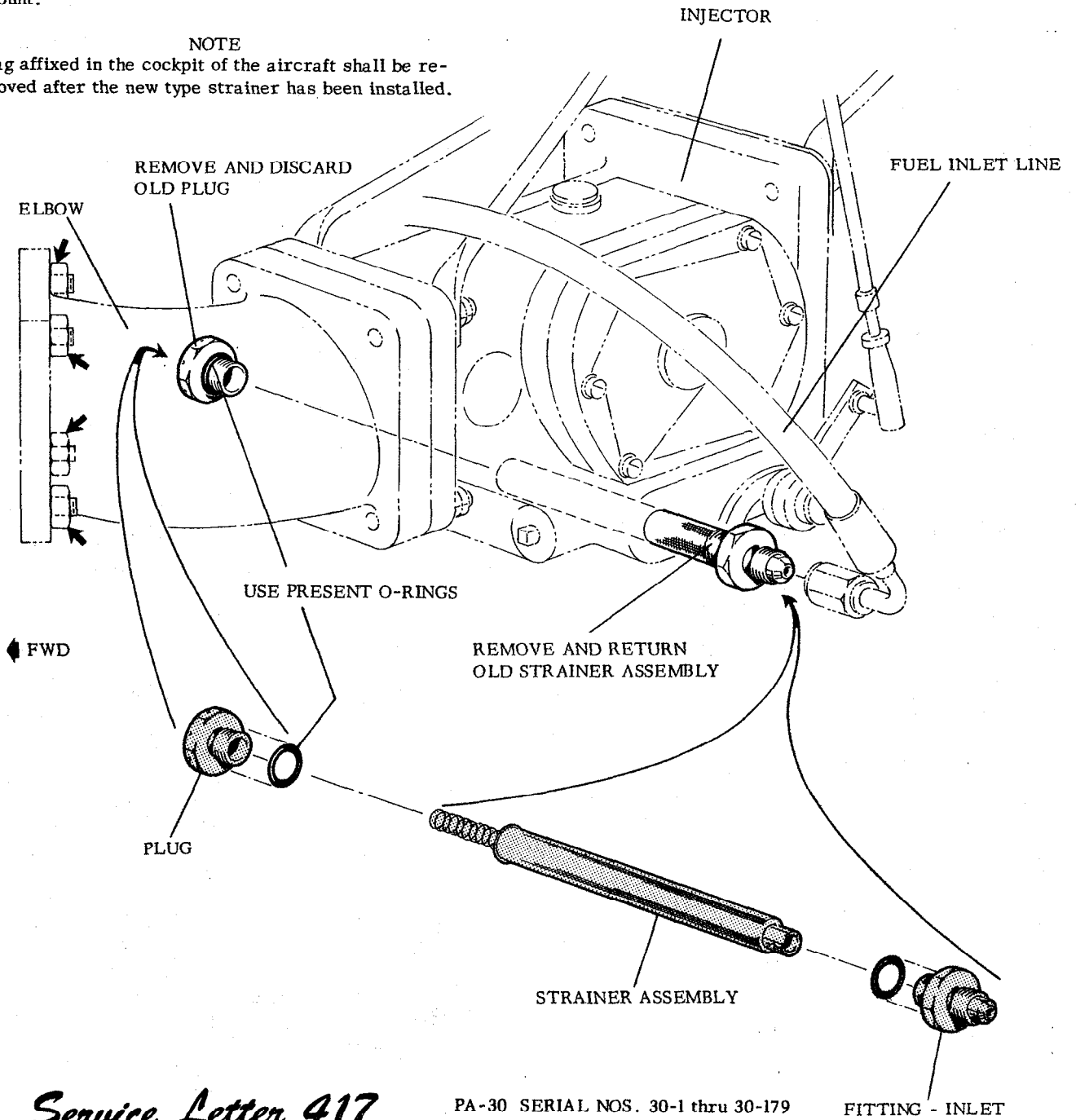
(over)

PIPER AIRCRAFT CORPORATION, LOCK HAVEN, PA., U. S. A.

Loosen the four nuts holding the 45° injector turning elbow to the engine oil sump sufficiently to allow the downward rotation of the injector assembly so that the screen assembly will pass freely below the engine mount.

NOTE

Tag affixed in the cockpit of the aircraft shall be removed after the new type strainer has been installed.



Service Letter 417

PA-30 SERIAL NOS. 30-1 thru 30-179

30-180 Right engine only

30-181 Left engine only

30-202 Right engine only

30-220 Right engine only