

SERVICE



LETTER

Service Letter No. 397

February 21, 1963

TO: Distributors, Dealers, Certified Service Centers and Owners

SUBJECT: Inspection of Alternate Air Door Hinge Pin

MODELS AFFECTED: PA-24 "250" Comanches with Fuel Injection, Serial Numbers 24-2563, 24-2929, 24-2949, 24-3205 to 24-3213 incl., 24-3215, 24-3218, 24-3219, 24-3221, 24-3222, 24-3226, 24-3229, 24-3232, 24-3233, 24-3234, 24-3242, 24-3243, 24-3245 to 24-3247 incl., 24-3251, 24-3260, 24-3265, 24-3267, 24-3270, 24-3273, 24-3274 and 24-3276

COMPLIANCE DATE: Prior to but not later than next 25 hours of operation

It has been brought to our attention that the hinge pin in the hinge of the alternate air door on the engine air induction box, part number 23114-00, of Fuel Injection Comanches, in a few instances, has not been adequately secured in the hinge. The hinge pin is secured by crimping each end of the hinge.

It is requested that an inspection be made of the alternate air door hinge to determine if both ends of the hinge are crimped to prevent the hinge pin from moving out of the hinge.

If the hinge pin is too long, it will prevent adequate crimping of each end of the hinge and the hinge pin should be shortened to a length of 3-1/16 inches. This will provide adequate material on each end of the hinge to permit sufficient crimping. See sketch on reverse side of this letter for further details.

A Warranty and Credit Claim may be submitted for one (1) hour of labor.

Very truly yours,

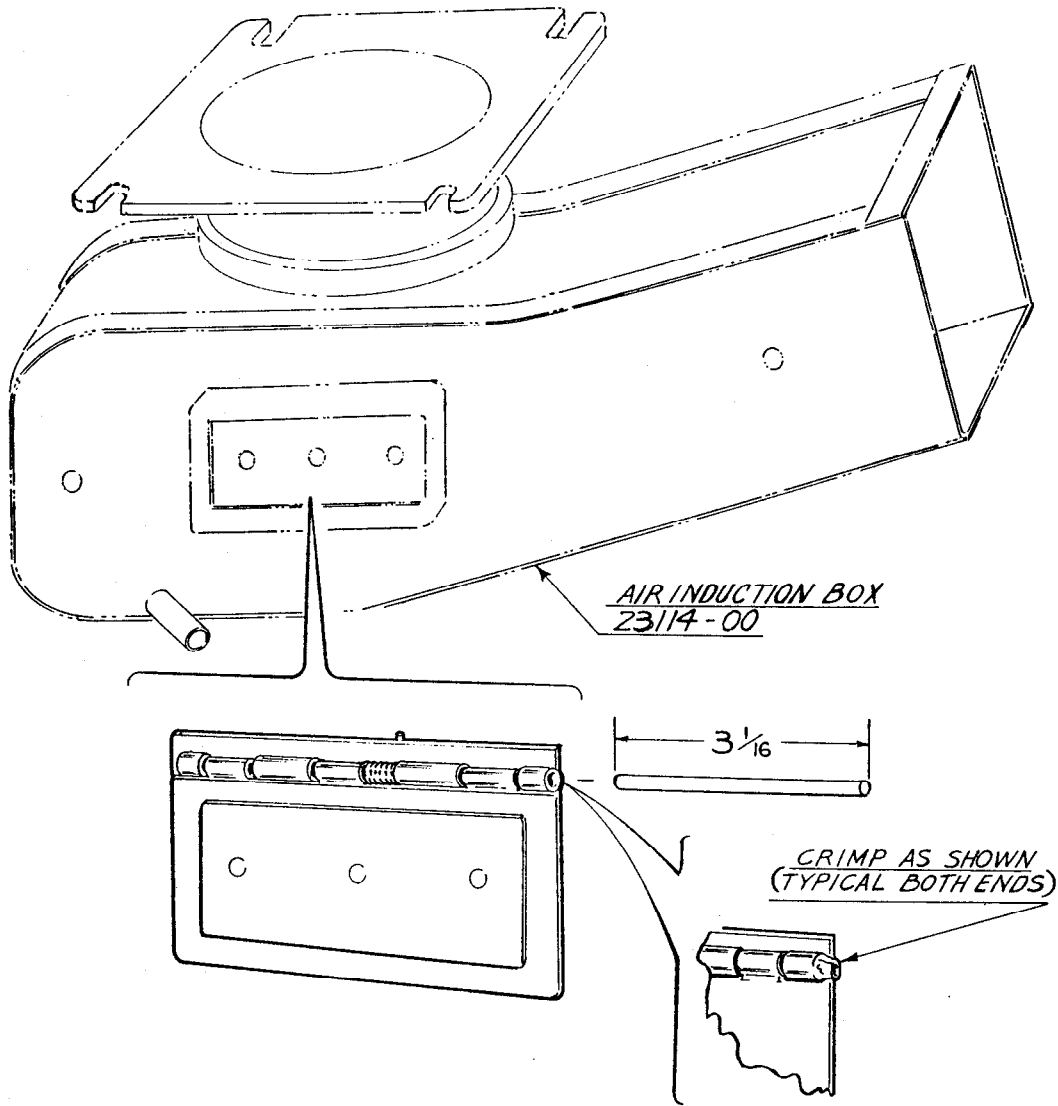
PIPER AIRCRAFT CORPORATION


Wes Holmes
Service Manager

WH:dld

(over)

PIPER AIRCRAFT CORPORATION, LOCK HAVEN, PA., U. S. A.



Service Letter

NO 397