

# SERVICE



# LETTER

Service Letter No. 382

September 27, 1962

TO: All Distributors, Dealers, Certified Service Centers and Owners

SUBJECT: Redesigned Landing Gear Selector Switch Knob

MODELS AFFECTED: PA-24 "250" Comanches, Serial Numbers 24-2844 to 24-3284 incl.

In response to numerous requests from the owners and operators of 1962 PA-24 "250" Comanche aircraft who desire to install the newer type landing gear selector switch knob, part number 23347-00, the necessary material and information to accomplish this is now available.

The new knob is designed to shorten the overall length of the shaft and knob, consequently, lessening the possibility of applying too much force when operating the switch.

It will be necessary, however, when installing the knob to "cut off" the shaft of the reducer to which the old knob was attached. It will not be necessary to remove the switch in order to complete this modification. (See sketch on the reverse side of this letter.) The shorter length of the shaft and knob which is a result of this modification will require a shorter selector switch guard, part number 23210-02.

The new knob, part number 23347-00, and guard, part number 23210-02, are available from your distributor or dealer. The unit price of the knob is \$2.50 and the guard \$2.56.

Very truly yours,

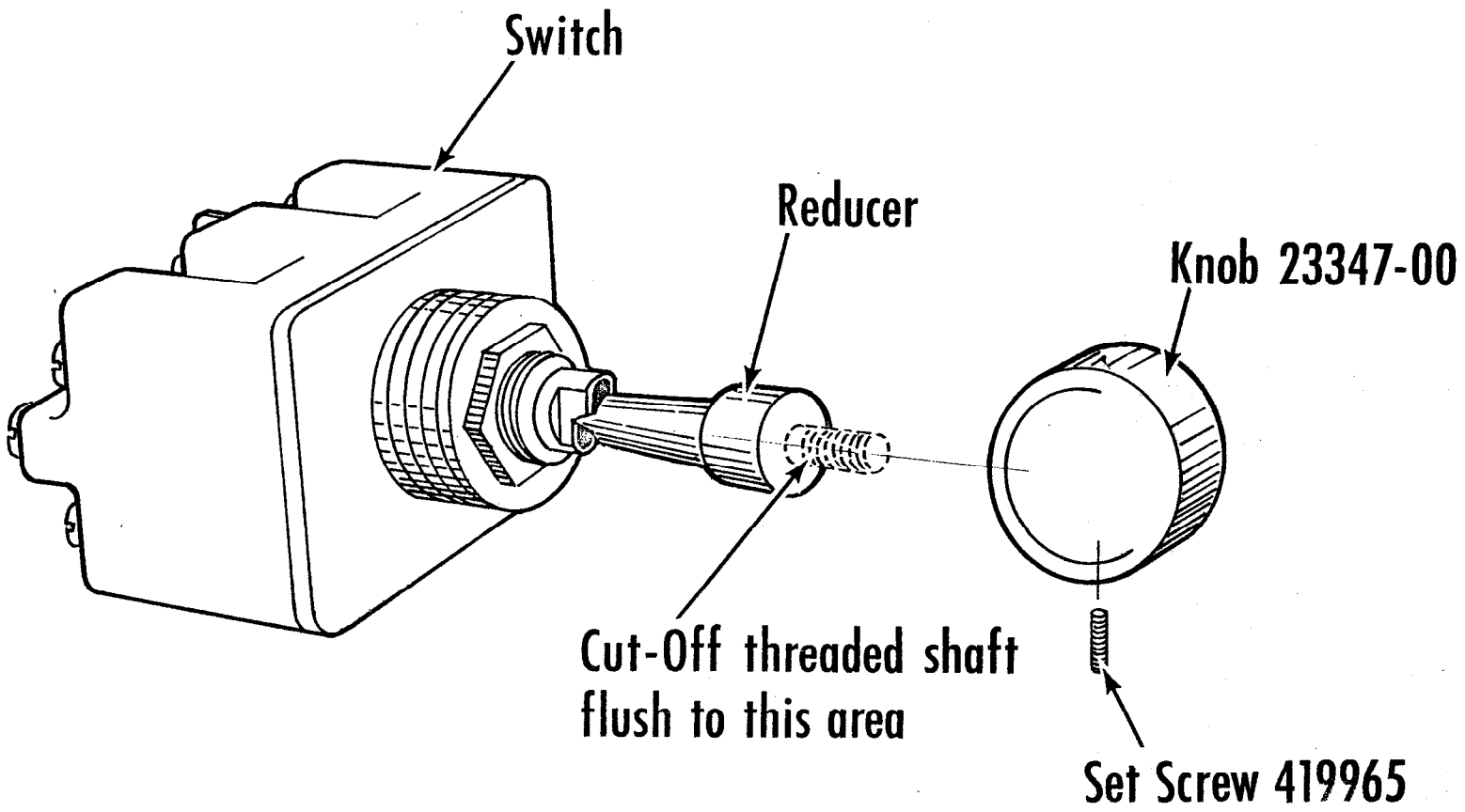
PIPER AIRCRAFT CORPORATION

A handwritten signature in cursive script that reads "Wes Holmes".  
Wes Holmes  
Service Manager

LAD:dld

(Over)

PIPER AIRCRAFT CORPORATION, LOCK HAVEN, PA., U. S. A.



**SERVICE LETTER NO. 382**