



# SERVICE No. 496 BULLETIN

Piper Aircraft Corporation

Lock Haven, Pennsylvania, U.S.A.

"DOA EA-1 Approved"

June 4, 1976

S

Subject:

Stabilator Balance Weight Tube Replacement.

Models Affected:

PA-24-250 Comanche

PA-24-260 Comanche

Serial Numbers Affected:

24-1, 24-103 to 24-3641 Inclusive, 24-3643 to 24-3687 Inclusive.

24-3642, 24-4000 to 24-5047 Inclusive.

NOTE: This modification affects only aircraft within this group that have had Stabilator Modification kit Piper Part Number 760 747 installed per Piper Service Letter No. 687 dated June 19, 1974.

Compliance Time:

At the next regularly scheduled interval (100 hour, annual, etc.), not to exceed the next 100 hours of operation.

Purpose:

Piper Service Letter No. 687 dated June 19, 1974, announced the availability of Stabilator Modification Kit Piper Part Number 760 747 for the above referenced aircraft. Recent factory testing indicates that cracks may develop in the stabilator balance weight tube assembly (part number 28035-00, supplied with the above referenced modification kit) in the corners of the balance weight cutout.

This service release provides material to replace the stabilator balance weight tubes on aircraft that have had stabilator modification kit, Piper part number 760 747 previously installed. New stabilator balance weight tubes are provided and are redesigned with a reshaped balance weight cutout (radius cut corners) to preclude corner cracks.

Instructions:

Refer to attached illustration/instruction sheet.

Material Required:

Two (2) each aircraft stabilator balance weight tube assembly, Piper part number 28035-00.

Availability of Parts:

Your Piper Field Service Facility.

Effectivity Date:

This Service Release is effective upon receipt.

(over)

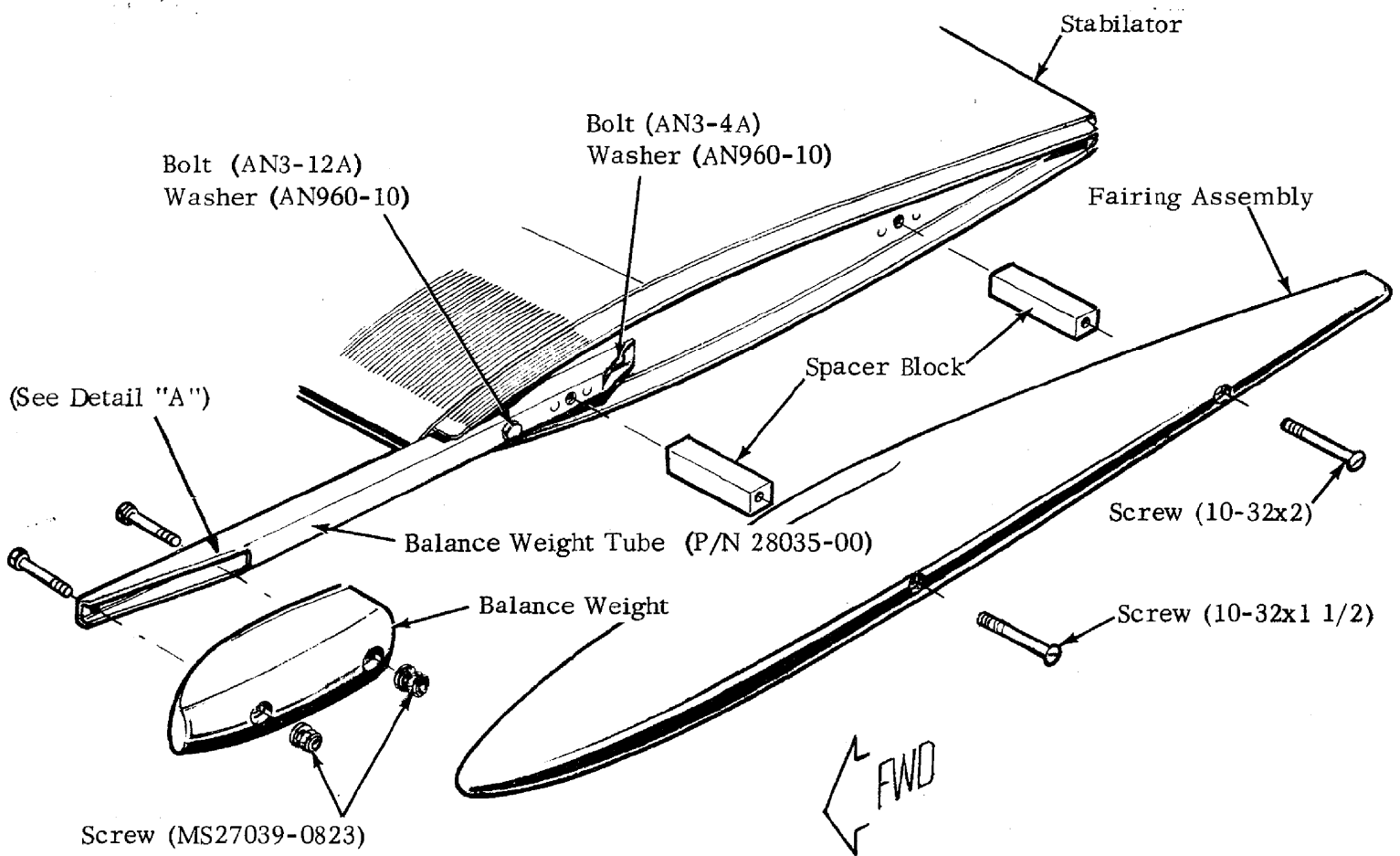
Summary:

Please contact your Piper Field Service Facility to make arrangements for compliance with this Service Release in accordance with the provisions of Compliance Time, above. Material required for affected aircraft is available free of charge through your Piper Field Service Facility for a period of time not to exceed twelve (12) months from this release date.

INSTRUCTIONS

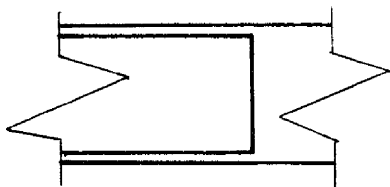
Service Bulletin No. 496

1. Remove fairing assembly and balance weight from left and right stabilators.
2. Remove existing balance weight tubes and install new tubes P/N 28035-00.  
Torque bolts to 20-25 inch pounds.
3. Reinstall balance weight and torque screws to 7-9 inch pounds.
4. Reinstall fairing assembly.
5. Make appropriate log book entry.

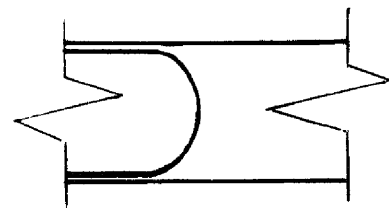


Screw (MS27039-0823)  
Washer (AN960-10)  
Nut (MS20364-832C)

Detail "A" :



Previous Tube - "squared" corners



New Tube - rounded cutout